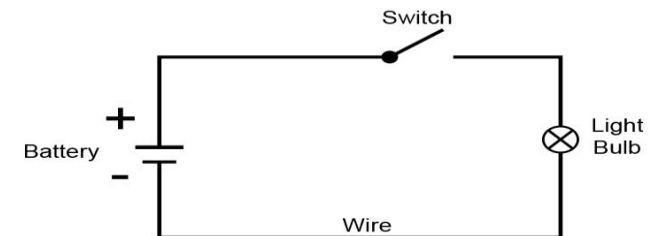
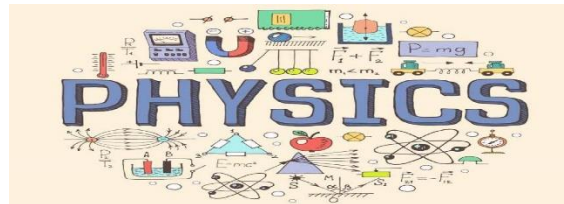


Domain Knowledge
(prior knowledge needed)

Know that electricity is an energy.
Electrical energy is caused by electrons moving about to make a current. Many household devices run on electricity.
Some devices run on batteries whilst other plug in to the mains.
Know that an electrical circuit consists of a cell or battery, connected to a component using wires.
A circuit always needs a power sources such as battery.
Know that if there is a break in the circuit or loose connection the circuit is not complete and so will not work.
Know that switch can be added to a circuit to turn the component on and off.
Know that metals are good conductors so they can be used as wires in a circuit. The most commonly used metal is copper.
Pure water is good insulator.

Conceptual Science Knowledge - Electricity

- Identify common appliances that run on electricity.
- Construct a simple series electrical circuit, identifying and naming its basic parts, including wires, cells, bulbs, switches and buzzers.
- Recognise that a switch opens and closes a circuit.
- Recognise some common conductors and insulators and associate metals with being good conductors.

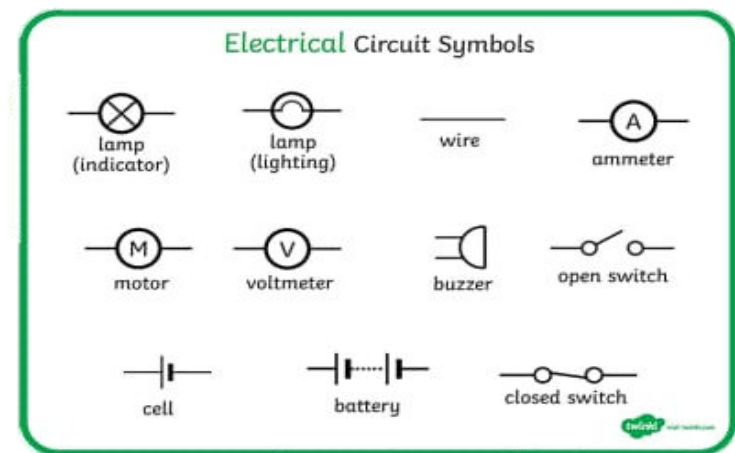


Working Scientifically Knowledge: Research using secondary sources.

Identify scientific ideas about electricity from the past and present.
Identify similarities and differences in science research from the past and the present.
State whether scientific research from the past is still relevant today.

Key Vocabulary

electricity, electrical appliances, main electricity, plug, circuit, component, cell, battery, positive, negative, bulb, switch, buzzer, motor, conductor, insulation, symbol



Key vocabulary

